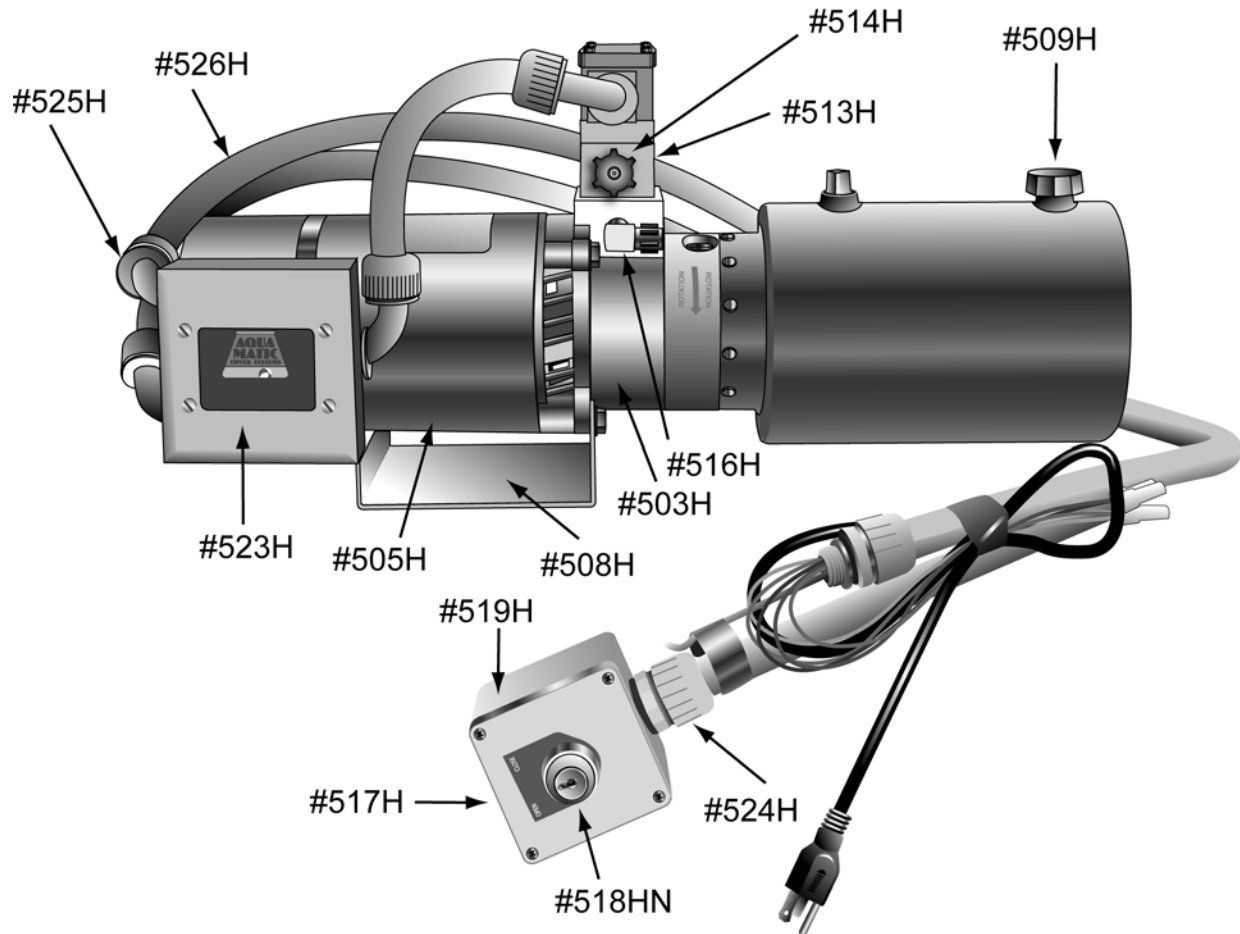


3/4 HP HYDRAULIC POWER PACK (part #500H) 110 or 220 Volt



#500H	Hydraulic Power Pack 3/4 hp		#514H	Solenoid Magnet	
#501H	Hydraulic Power Pack 1.5 hp		#516H	Solenoid Valve Fitting 90 Degree	
#502H	Hydraulic Power Pack 2.0 hp		#517H	Key Switch & Box With Legend Plate	
#503H	Hydraulic Power Pack 1.0 International		#518HN	Key Switch Only No Box New Key Style	
#503H	Hydraulic Pump		#519H	Key Switch Box	
#505H	Electric Motor 3/4 hp		#523H	Double Gang Box	
#506H	Electric Motor 1.5 hp		#524H	Liquid Tight 1/2" Straight Connector	
#507H	Electric Motor 2.0 hp		#525H	Liquid Tight 1/2" Connector 90 Degree	
#508H	Power Pack Stand		#526H	Liquid Tight 1/2" Flex Conduit (Per Ft.)	
#509H	Fluid Breather Cap		#520H	Key # 455	
#513H	Solenoid Value		#521A	Key #1424 A	

The Powerpack is currently supplied with the latest GE motor, which features an easy-to-use 110v to 220v dial switch (all 3/4 HPs are set at 110v and all 1.5 HPs are set at 220v). The 3/4 HP Powerpack can be hooked up either to 110v or 220v, but we suggest always hooking up to 220v. **When wiring 220v the key switch must always remain on 110v circuit or the solenoid on the Powerpack will be damaged.**