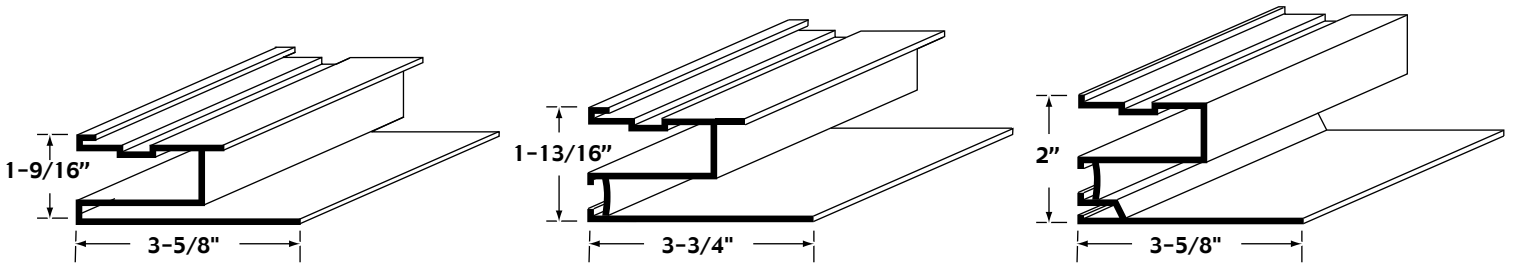


Inwall #1

Inwall #2

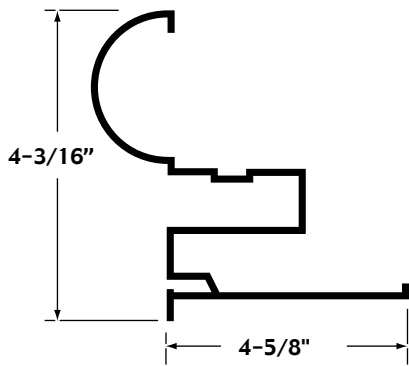
Inwall #3 w/ liner bead receptor



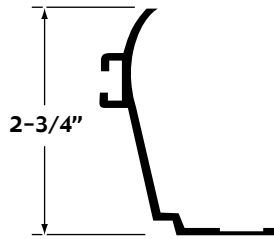
Inwall #4

Inwall #5 w/ fiber optic

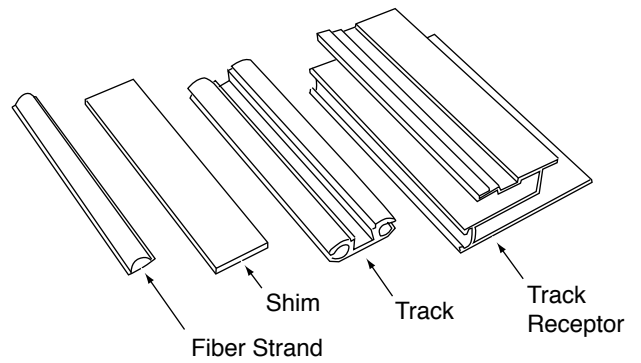
Inwall #6 w/ liner bead and fiber optic receptor



Inwall 3DF



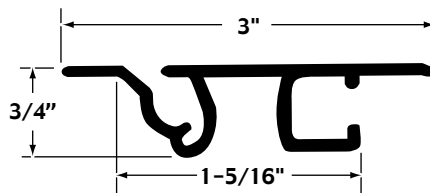
Reusable Deckform



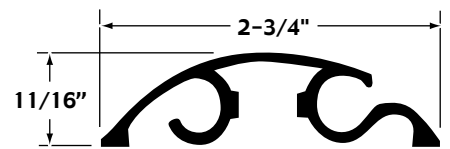
Inwall #6 assembly exploded view



Under Track



Flush Track



Top Track

Company Name _____

Customer Name _____

Signature _____ Date _____