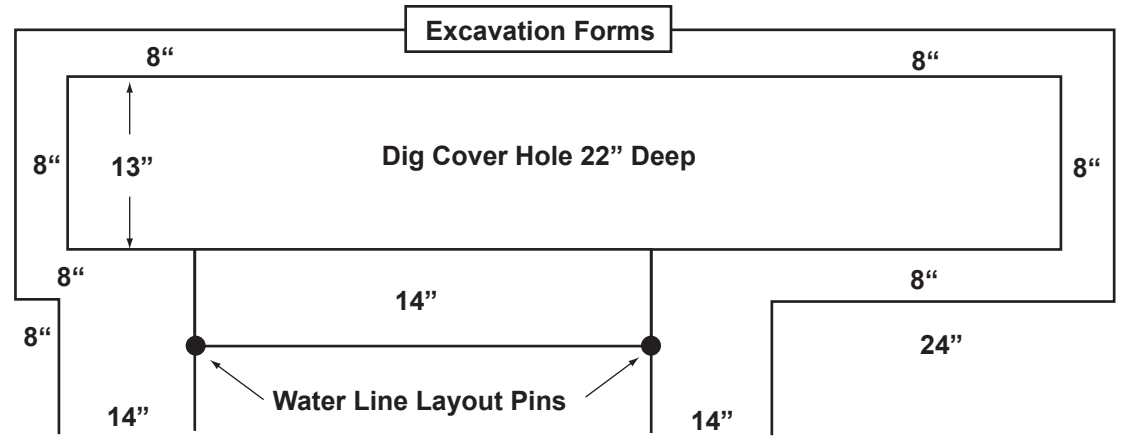


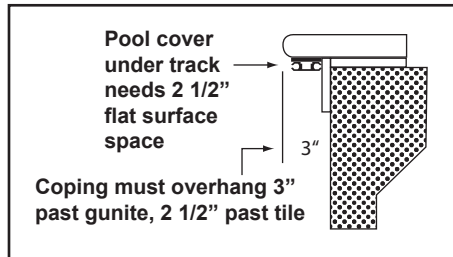
# Specifications for pools up to 44' long

## Pool Cover Box Gunite Standards

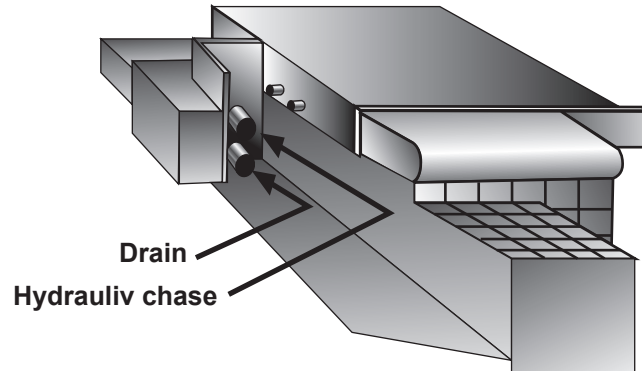
1. Minimum depth standard beam (14")
2. Minimum depth from tile beam (12")
3. Minimum width of box for pool up to 45' (13")
4. 45' to 60' = 14" wide
5. 60' to 75' = 15" wide
6. 75' to 90' = 16" wide
7. Box extension past tile line for non-drive end (12")
8. Box extension past tile line for (motor) drive end (30")
9. 2" minimum hydraulic chase line
10. Cover must always have a drain installed



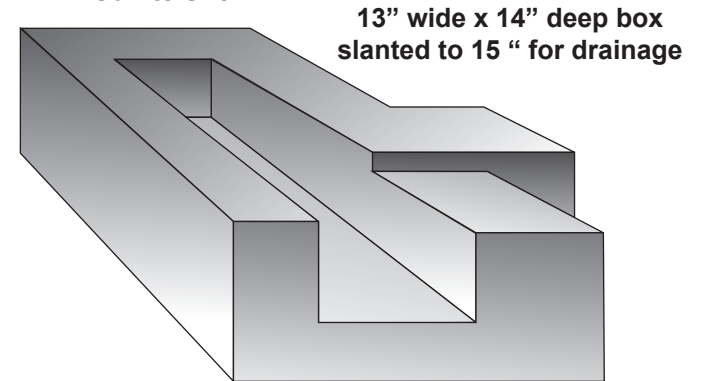
## Under Track and Coping Placement



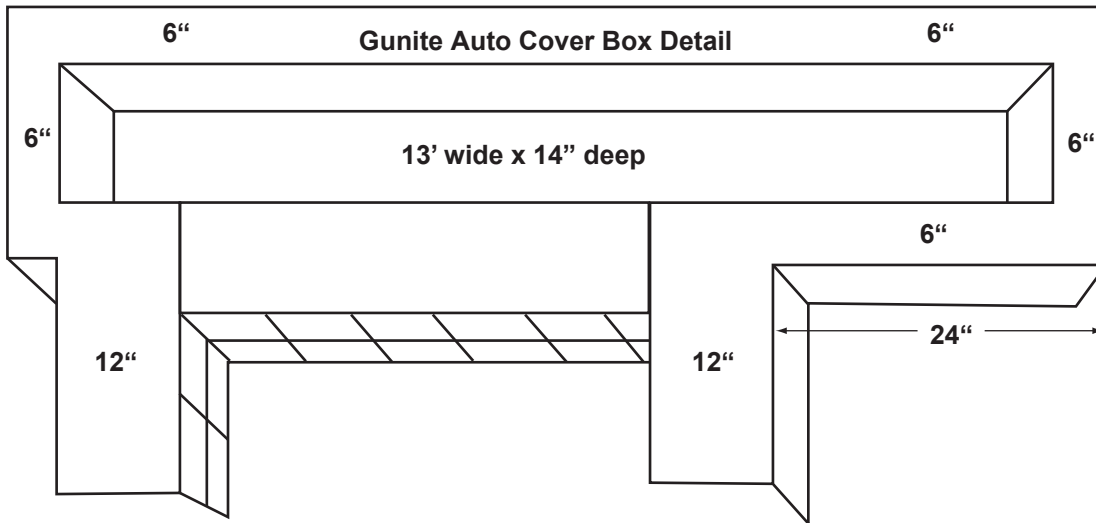
## Tile Coping and Deck Setup



## Gunite Shell



## Gunite Auto Cover Box Detail



## Cover Box Side View

