

A: CONTACT AQUAMATIC FOR COVER VAULT WIDTH  
 B: CONTACT AQUAMATIC FOR COVER VAULT DEPTH  
 C: 4" MINIMUM, REQUIRES 2" CLEAR BOTH ABOVE  
 LOWERED BOND BEAM AND BELOW VAULT COVER LID  
 SUPPORT COMPONENTS FOR HYDRALUX COVER CLEARANCE.  
 REFER TO NOTE #1 AND VAULT SECTION DETAIL PAGE 2

LOWERED BOND  
 BEAM SEE NOTE #1

4" X 4" RECESS FOR  
 VAULT COVER SUPPORT  
 BEAMS TYP OF 3

WET PIT COVER VAULT.

DRY PIT MINIMUM 2'-0" X 2'-0"  
 DEPTH TO MATCH WET PIT  
 SEE NOTE #3

4" CORE DRILL TO  
 WET PIT (T.B.D.)  
 SEE NOTE #2

2" CHASE FOR  
 HYDRAULIC LINES  
 SEE NOTE #1

2" DRAIN LINE TO  
 WASTE  
 SEE NOTE #1

VAULT ISOMETRIC SECTION

SCALE: N.T.S

### GENERAL NOTES

1. DRY PIT MUST BE EQUIPPED WITH DRAIN, AND ONE 2" CHASE FROM DRY PIT RETURNED TO THE EQUIPMENT PAD WITH SWEEP TURNS ONLY.
2. A 4" HOLE WILL BE CORED FROM THE WET PIT TO THE DRY PIT FOR WALL SHAFT PASSAGE ASSEMBLY, MAKE SURE THERE IS NO PIPING IN THE WALL BETWEEN THE WET AND DRY PITS. LOCATION TO BE DETERMINED AS PER AQUAMATIC.
3. DRY PIT MUST BE AT MINIMUM 24" X 24" WIDE (CENTERED) AND THE SAME DEPTH AS THE WET PIT DRY PIT CAN BE LOCATED ON EITHER SIDE OF WET PIT. WET RECESS END WALL IS TO BE FLUSH TO POOL WALL.
4. IF USING A HOSE TYPE OF SWEEP, FLOATS MUST BE REMOVED TO KEEP HOSE BELOW WATERLINE, IN-FLOOR CLEANING SYSTEMS ARE PREFERRED.
5. FOR CIRCULATION AND WATER TREATMENT A DRAIN OR RETURNS MUST BE INSTALLED, CONSULT WITH THE POOL BUILDER FOR PLACEMENT AND REQUIREMENTS
6. \*\* CLEARANCES ARE CRITICAL, THEREFORE WATER LEVEL MUST BE MAINTAINED WITH AUTO-FILL AND OVERFLOWS \*\*
7. FOR BOTH THE LOWERED BOND BEAM (END WALL), AND ANY LID COMPONENTS, (MEASURE FROM THE LOWEST POINT DOWN) THERE MUST BE A MINIMUM OF 2" CLEARANCE FROM WATERLINE FROM BOTH (4" OVERALL) TO ALLOW THE COVER TO PASS WITHOUT OBSTRUCTION. IF THE COVER DOES NOT PASS FREELY, THE SLATS WILL GET BUNCHED UP INSIDE THE COVER HOUSING, WHICH CAN CAUSE SIGNIFICANT DAMAGE TO THE SLATS.

COVER STYLE: **HYDRALUX**

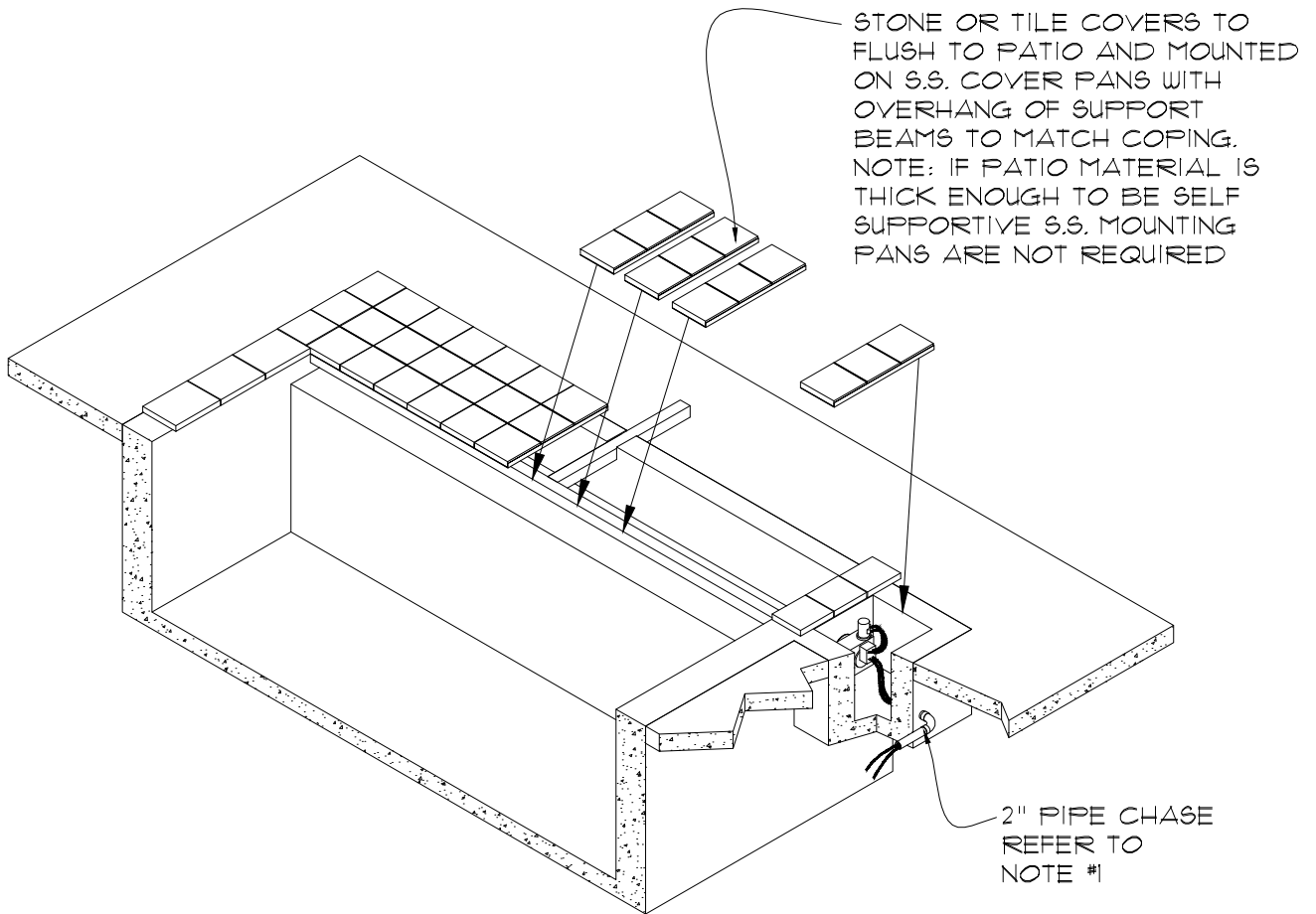
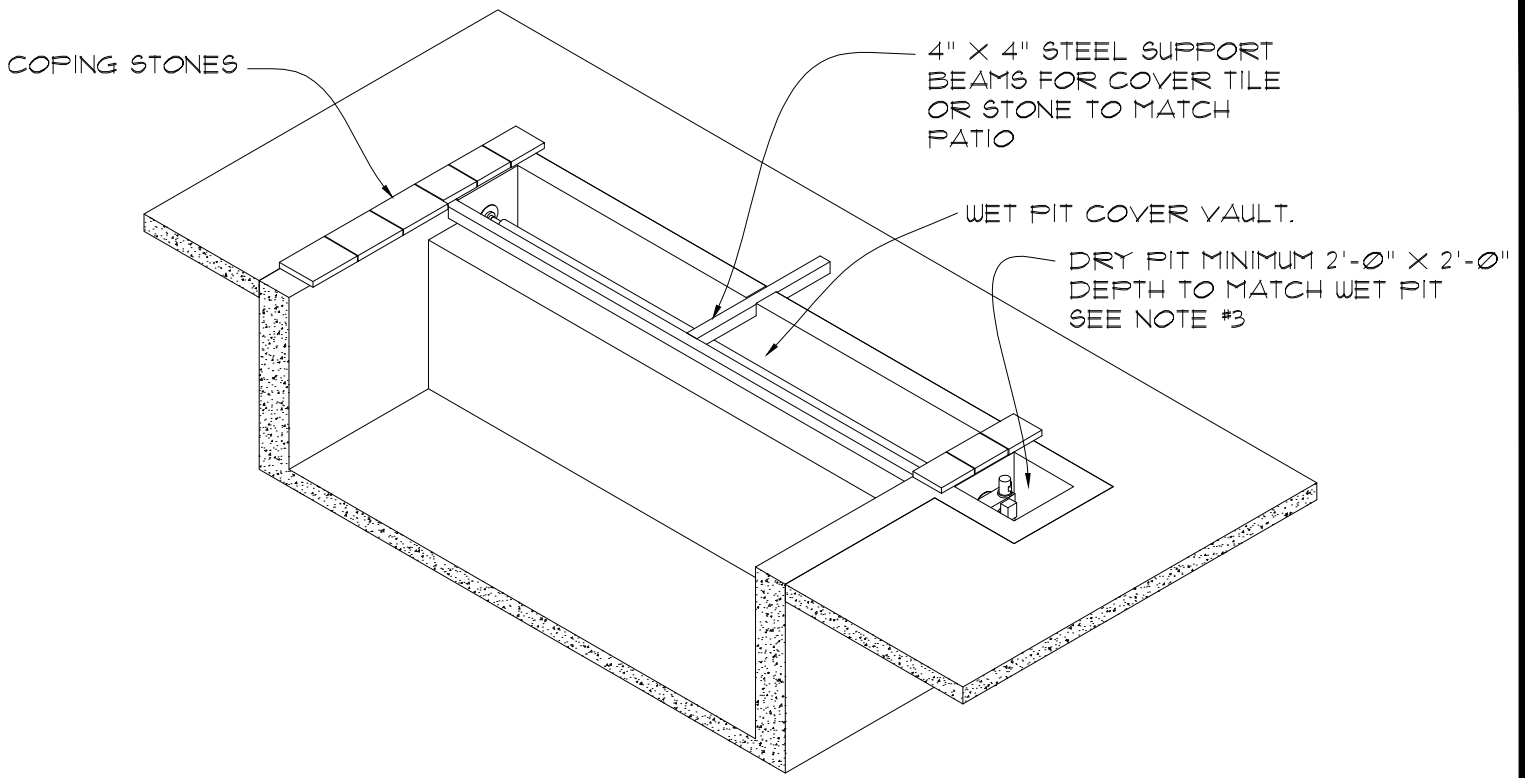
PAGE

TITLE:  
**HYDRALUX  
 MODEL #1 STANDARD MOUNT**

**1 OF 3**



Hydraulic Swimming Pool Covers  
 AQUAMATIC COVER SYSTEMS  
 200 Mayock Rd, Gilroy, CA 95020  
 Ph. 800.262.4044 / 408.846.9274  
 Fax: 800.600.7087 / 408.846.1060  
 www.aquamatic.com



COVER STYLE: HYDRALUX

PAGE

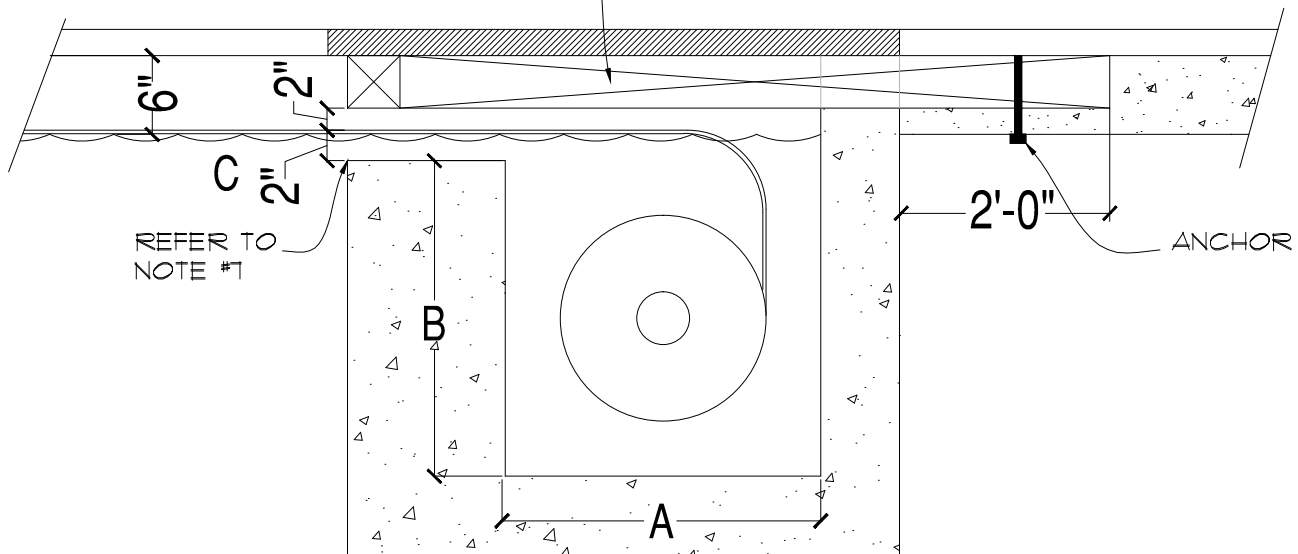
TITLE:  
HYDRALUX  
MODEL #1 STANDARD MOUNT

2 OF 3



Hydraulic Swimming Pool Covers  
AQUAMATIC COVER SYSTEMS  
200 Mayock Rd, Gilroy, CA 95020  
Ph. 800.262.4044 / 408.846.9274  
Fax: 800.600.7087 / 408.846.1060  
www.aquamatic.com

4" X 4" STEEL SUPPORT  
BEAMS FOR COVER TILE  
OR STONE TO MATCH PATIO



### Vanishing Edge and Slot Overflow Pools

On pools with Vanishing edge or zero edge (water and deck at same level) the edge is preferred to slope away from the pool on the sides where the cover travels. If not, then maintain as flat a surface as possible. Otherwise the cover slats can wander over the edge of the pool, causing deployment issues, potential damage to the slats, and at the very least aesthetical concerns as the cover will want to wander.

COVER STYLE: HYDRALUX

PAGE

TITLE:  
HYDRALUX  
MODEL #1 STANDARD MOUNT

3 OF 3



Hydraulic Swimming Pool Covers  
AQUAMATIC COVER SYSTEMS  
200 Mayock Rd, Gilroy, CA 95020  
Ph. 800.262.4044 / 408.846.9274  
Fax: 800.600.7087 / 408.846.1060  
www.aquamatic.com