

VANISHING EDGE SECTION (ISOMETRIC)

SCALE: 1/2" = 1'-0"

COVER STYLE: **HYDRAMATIC**

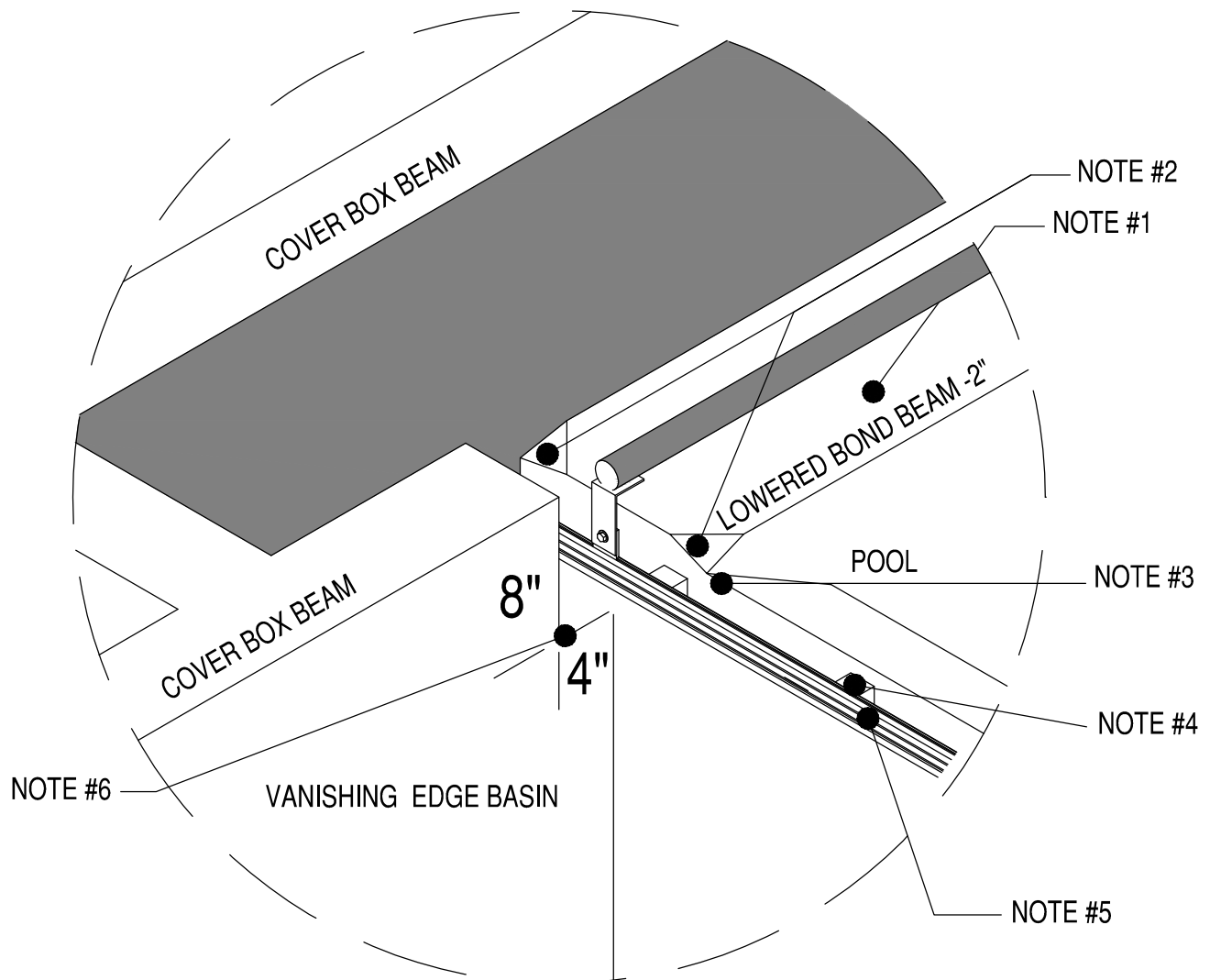
TITLE: **AUTOMATIC COVER**  
**VANISHING EDGE DETAILS**  
 30° EDGE SLOPES INTO POOL

PAGE:

**1 OF 4**



Exclusive Manufacturer of the Hydramatic  
 Hydraulic Swimming Pool Covers  
 AQUAMATIC COVER SYSTEMS  
 200 Mayock Rd, Gilroy, CA 95020  
 Ph. 1.800.262.4044 / 408.846.9274  
 Fax: 800.600.7087 / 408.846.1060



1  
2 VANISHING EDGE DETAIL

SCALE: 1 1/2" = 1'-0"

**CRITICAL NOTES**

1. 12" WIDE LOWERED BOND BEAM SET 2" BELOW COVER BOX BEAM.
2. CHAMFER SHARP CORNER WHERE COVER EXITS/ENTERS COVER BOX.
3. FINISH EDGE OF VANISHING EDGE IS TO BE 1" BELOW LOWERED BOND BEAM
4. 1" SPACERS FOR MOUNTING COVER TRACK @ 12" O.C.
5. COVER TRACK MOUNTED VERTICALLY MIN. 1" BELOW VANISHING EDGE. COVER TRACK IS TO PROTRUDE INTO COVER BOX 2" BEYOND LOWERED BOND BEAM.
6. 4" WIDE X 8" DEEP CHANNEL THROUGH COVER BOX WALL FOR COVER TRACK AND LEADING BAR MECHANISM.

COVER STYLE: **HYDRAMATIC**

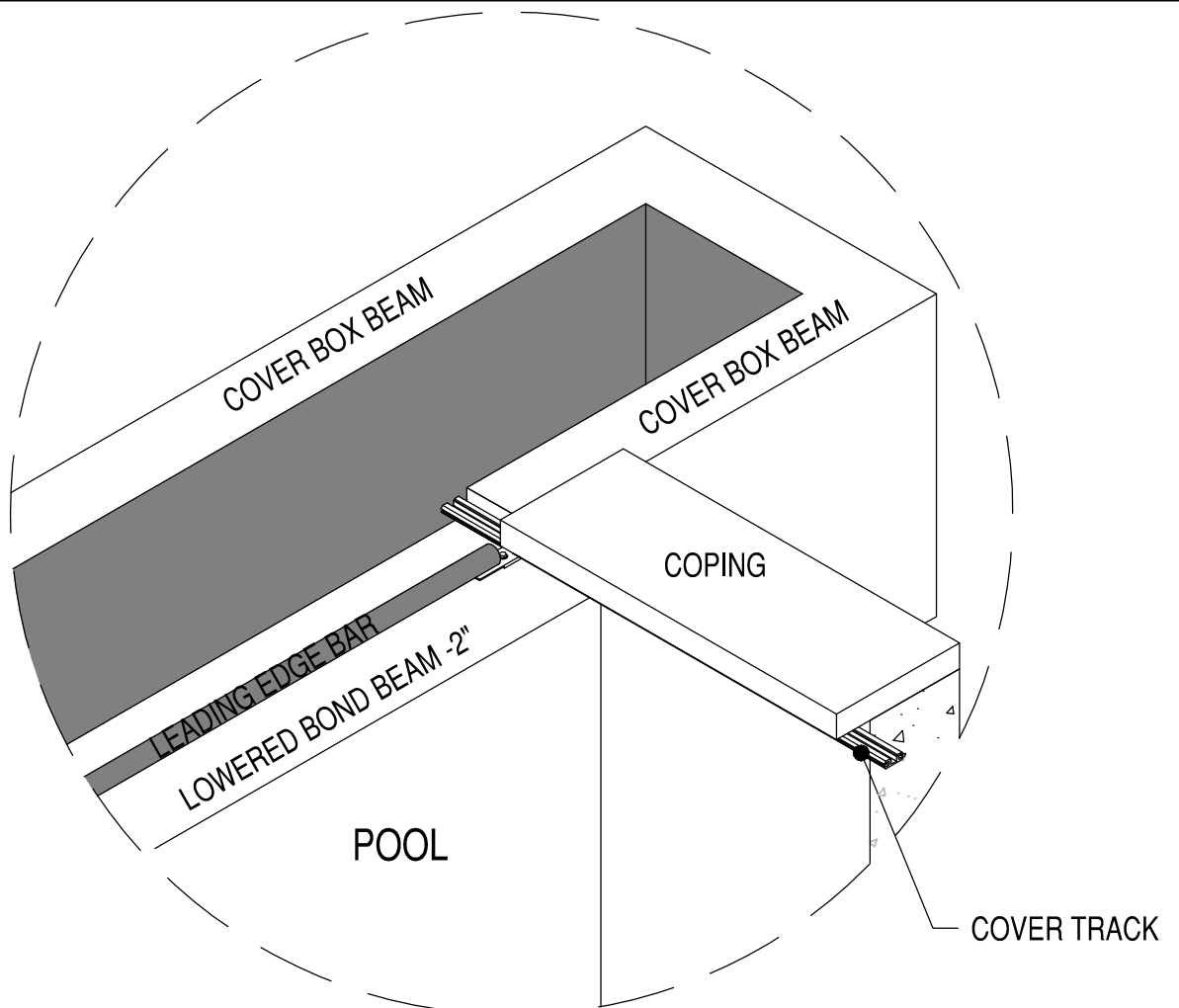
TITLE: **AUTOMATIC COVER**  
**VANISHING EDGE DETAILS**  
 30° EDGE SLOPES INTO POOL

PAGE:

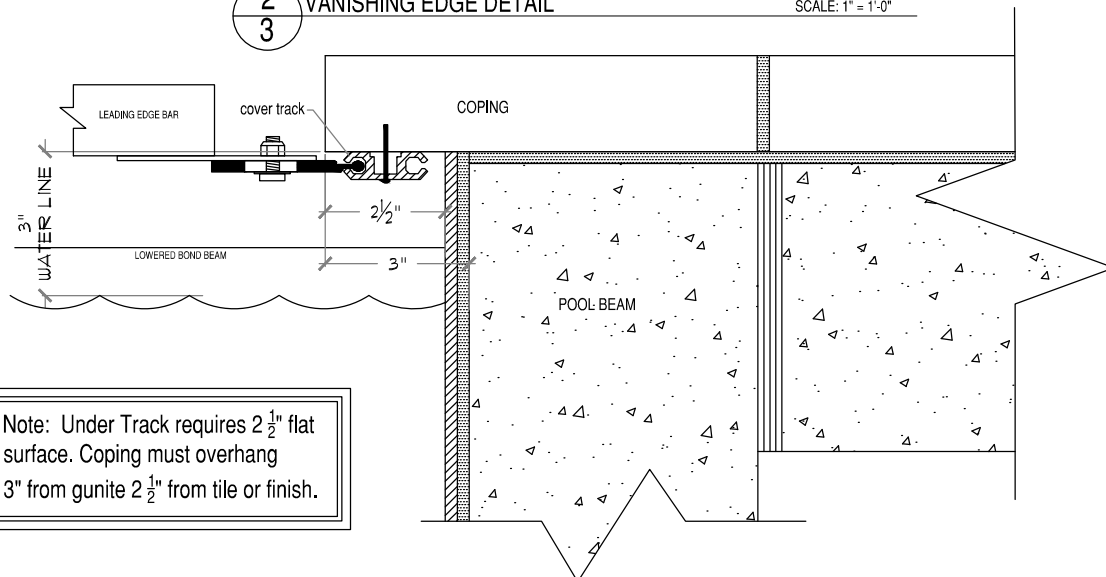
**2 OF 4**



Exclusive Manufacturer of the Hydramatic  
 Hydraulic Swimming Pool Covers  
 AQUAMATIC COVER SYSTEMS  
 200 Mayock Rd, Gilroy, CA 95020  
 Ph. 1.800.262.4044 / 408.846.9274  
 Fax: 800.600.7087 / 408.846.1060



2 VANISHING EDGE DETAIL SCALE: 1" = 1'-0"



Note: Under Track requires 2 1/2" flat surface. Coping must overhang 3" from gunite 2 1/2" from tile or finish.

UNDER COPING TRACK DETAIL SCALE: 3" = 1'-0"

COVER STYLE: HYDRAMATIC

TITLE: AUTOMATIC COVER  
VANISHING EDGE DETAILS

30° EDGE SLOPES INTO POOL

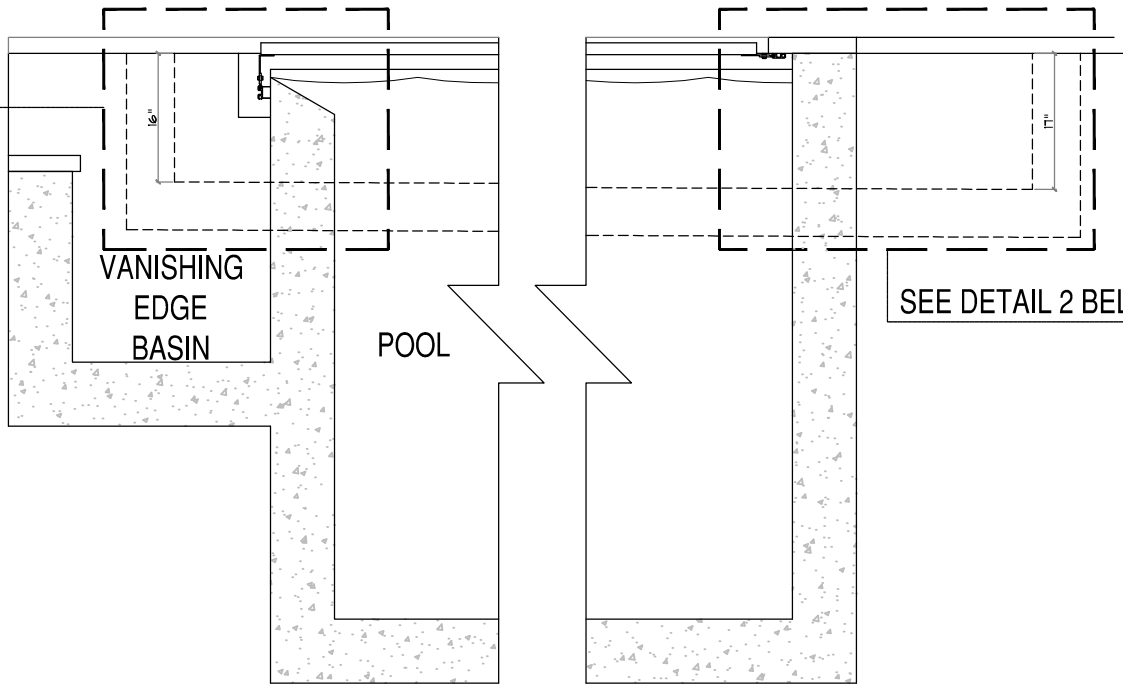
PAGE:

3 OF 4



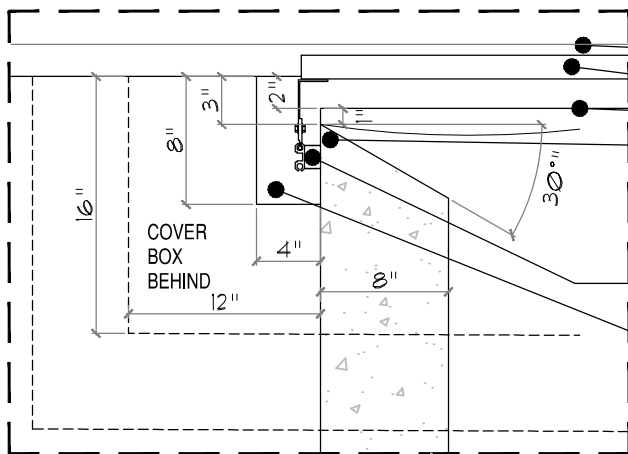
Exclusive Manufacturer of the Hydramatic Hydraulic Swimming Pool Covers  
AQUAMATIC COVER SYSTEMS  
200 Mayock Rd, Gilroy, CA 95020  
Ph. 1.800.262.4044 / 408.846.9274  
Fax: 800.600.7087 / 408.846.1060

SEE  
DETAIL 1  
BELOW



SEE DETAIL 2 BELOW

VANISHING EDGE COVER DETAIL (FRONT VIEW) SCALE: 1/2" = 1'-0"



STEP ON COVER

LEADING EDGE BAR

LOWERED BOND BEAM

VANISHING EDGE BEAM NOTE: FINISH EDGE TO BE  
1" BELOW LOWERED BOND BEAM  
(3" WATER LEVEL BELOW COPING)

COVER TRACK MOUNTED VERTICALLY ON 1" SPACER MIN.  
1" BELOW EDGE (SPACER AT 12" O.C.) TRACK EXTENDS 2"  
INTO COVER BOX.

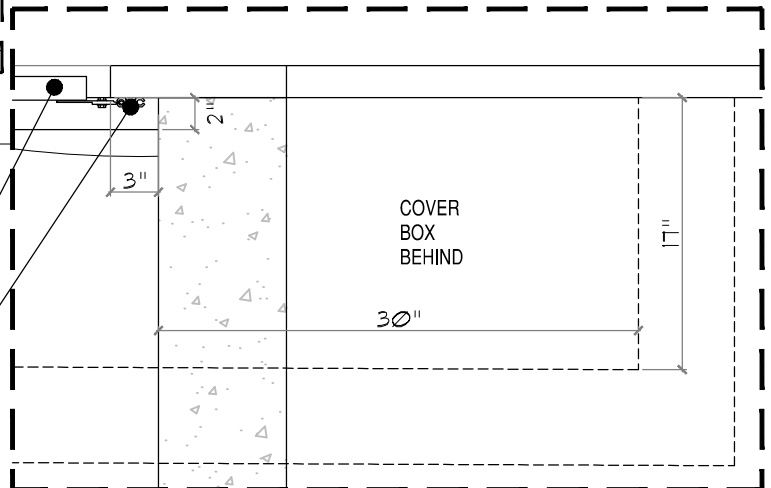
4" WIDE X 8" HIGH CHANNEL INTO COVER BOX FOR  
COVER TRACK.

VANISHING EDGE COVER DETAIL 1

SCALE: 1" = 1'-0"

LEADING EDGE BAR

COVER TRACK MOUNTED BELOW COPING  
TRACK EXTENDS 2" INTO COVER BOX SEE DETAIL PAGE 3



VANISHING EDGE COVER DETAIL 2

SCALE: 1" = 1'-0"

COVER STYLE: **HYDRAMATIC**

TITLE: **AUTOMATIC COVER  
VANISHING EDGE DETAILS**

30° EDGE SLOPES INTO POOL

PAGE:

**4 OF 4**



Exclusive Manufacturer of the Hydramatic  
Hydraulic Swimming Pool Covers  
AQUAMATIC COVER SYSTEMS  
200 Mayock Rd, Gilroy, CA 95020  
Ph. 1.800.262.4044 / 408.846.9274  
Fax: 800.600.7087 / 408.846.1060