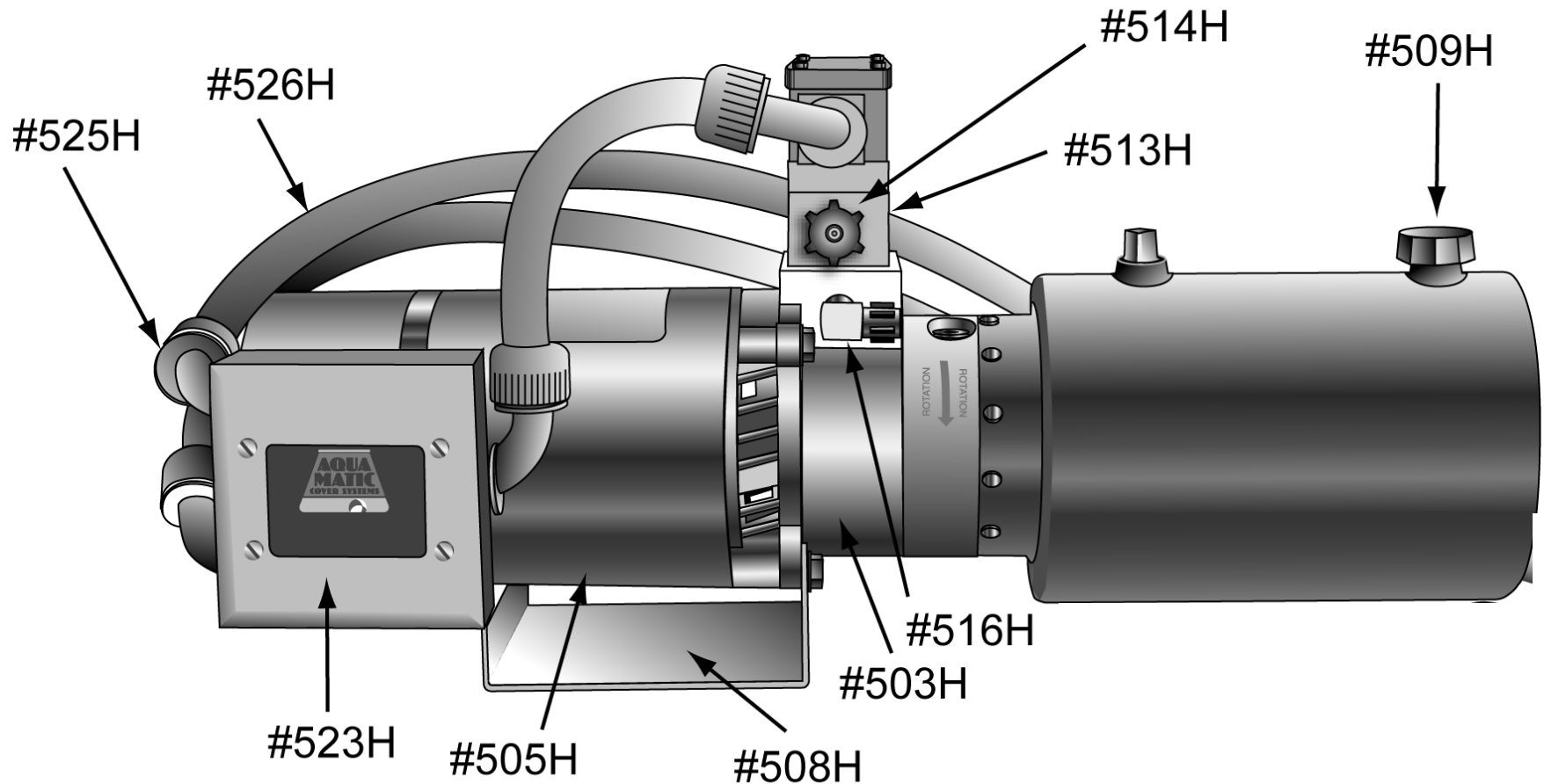


1.5 HP HYDRAULIC POWER-PACK (part # 501H) 220 Volt



Power-pack Specifications

Length = 26" Wide = 10" Tall = 11"

Weight = 50lbs 220-240v/60hz 1PH 75-1.5HP

UL,CSA, CE approved

Hydraulic Oil = EPA approved biodegradable

Normal working pressure = 800 psi

Limit switches = pressure relief valves

Operational Switch = Push button

Parts Description

#503H	Hydraulic Pump
#505H	Electric Motor
#508H	Power-pack Stand
#509H	Breather Cap
#513H	Solenoid Valve
#514H	Solenoid Magnet
#516H	Solenoid Valve Fitting
#523H	Double Gang Junction Box
#525H	Liquid Tight Connector
#526H	Liquid Tight Flex Conduit