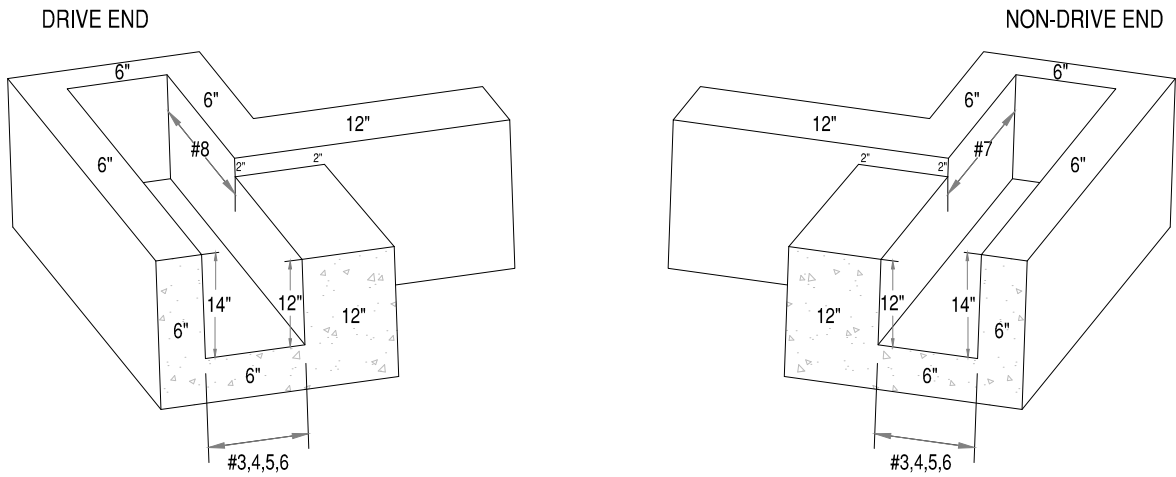


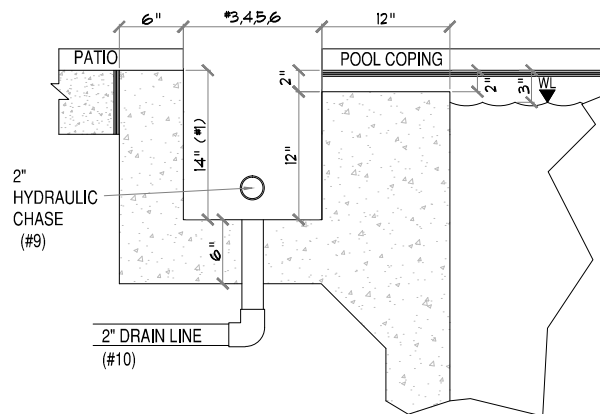
## POOL COVER BOX GUNITE STANDARDS

1. Minimum depth standard beam (14")
2. Minimum depth from tiled beam (12")
3. Minimum width of box for pool up to 45' (13")
4. 45' to 60' = 14" wide
5. 60' to 75' = 15" wide
6. 75' to 90' = 16" wide
7. Box extension past tile line for non-drive end (12")
8. Box extension past tile line for (motor) drive end (30")
9. 2" minimum hydraulic chase line
10. Cover box must always have a drain line installed



COVER BOX DETAILS

SCALE: 1/2" = 1'-0"



VAULT CROSS SECTION

SCALE: 3/4" = 1'-0"

COVER STYLE:

HYDRAMATIC

TITLE:

AUTOMATIC COVER  
BOX SPECIFICATIONS



Exclusive Manufacturer of the Hydramatic  
Hydraulic Swimming Pool Covers  
AQUAMATIC COVER SYSTEMS  
200 Mayock Rd, Gilroy, CA 95020  
Ph. 1.800.262.4044 / 408.846.9274  
Fax: 800.600.7087 / 408.846.1060