

VANISHING EDGE SECTION (ISOMETRIC)

SCALE: 1/2" = 1'-0"

COVER STYLE: HYDRAMATIC

TITLE: AUTOMATIC COVER
 VANISHING EDGE DETAILS
 45° EDGE SLOPES OUT FROM POOL

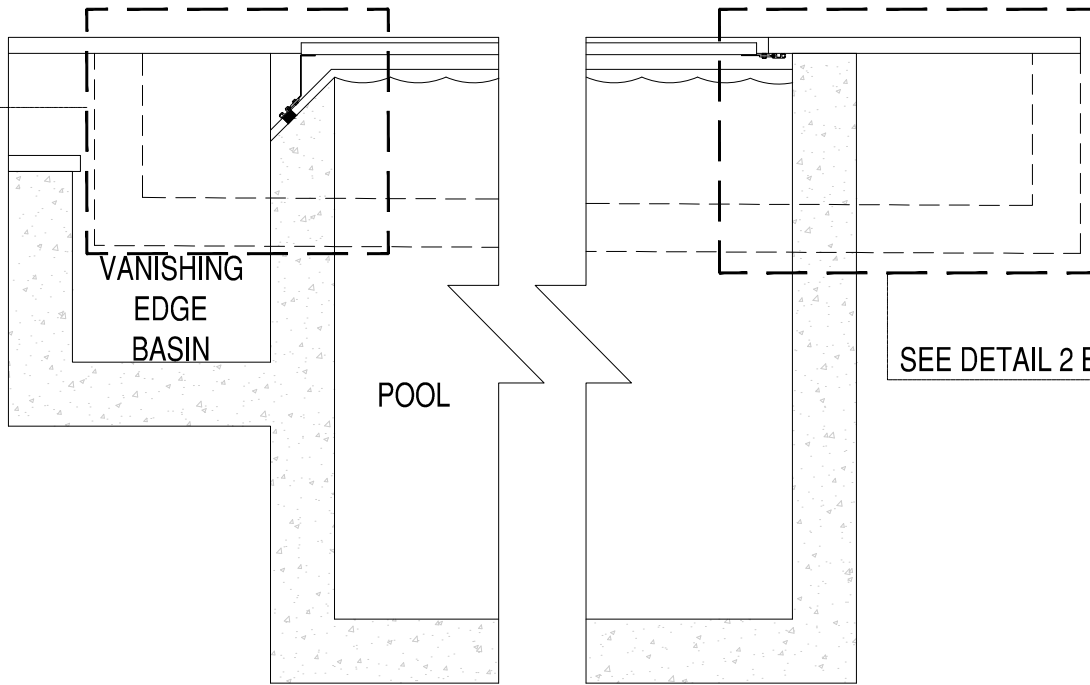
PAGE:

1 OF 4



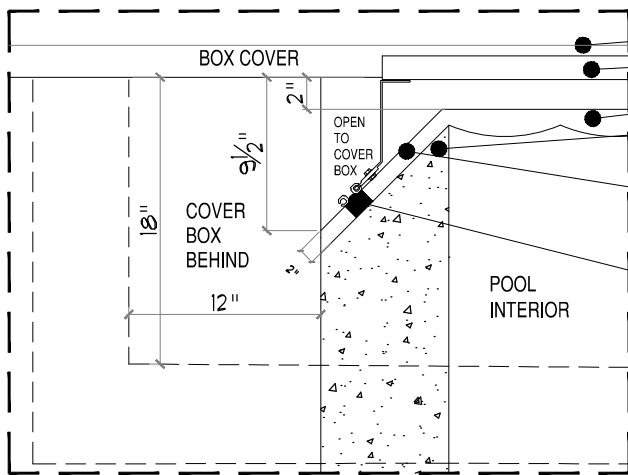
Exclusive Manufacturer of the Hydramatic
 Hydraulic Swimming Pool Covers
 AQUAMATIC COVER SYSTEMS
 200 Mayock Rd, Gilroy, CA 95020
 Ph. 1.800.262.4044 / 408.846.9274
 Fax: 800.600.7087 / 408.846.1060

SEE
DETAIL 1
BELOW



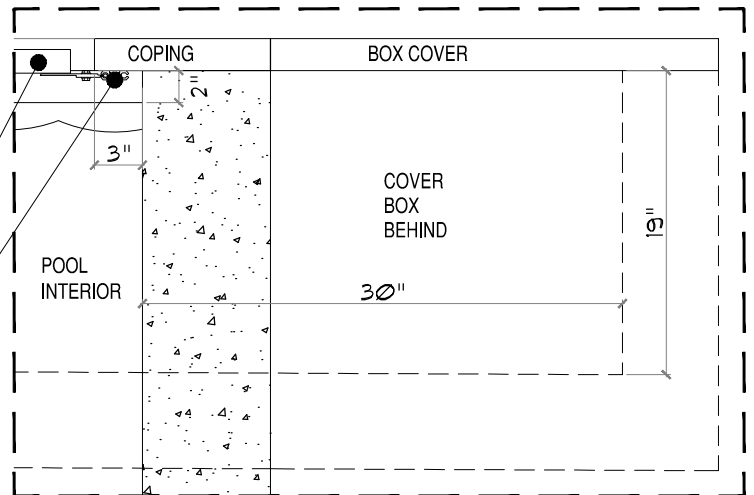
SEE DETAIL 2 BELOW

VANISHING EDGE COVER DETAIL (FRONT VIEW) SCALE: 1/2" = 1'-0"



- STEP ON COVER
- LEADING EDGE BAR
- LOWERED BOND BEAM
- VANISHING EDGE BEAM NOTE: FINISH EDGE TO BE 1" BELOW LOWERED BOND BEAM (3" WATER LEVEL BELOW COPING)
- CHANNEL INTO COVER BOX TO MATCH ANGLE OF VANISHING EDGE BEAM AND 1/2" MIN. 1" MAX. ABOVE VANISHING EDGE BEAM.
- COVER TRACK 1" ABOVE VANISHING EDGE BEAM WITH ON 1" SPACERS . COVER TRACK TO EXTEND 2" INTO COVER BOX.

VANISHING EDGE COVER DETAIL 1 SCALE: 1" = 1'-0"



COVER TRACK MOUNTED BELOW COPING
TRACK EXTENDS 2" INTO COVER BOX SEE DETAIL PAGE 3

VANISHING EDGE COVER DETAIL 2 SCALE: 1" = 1'-0"

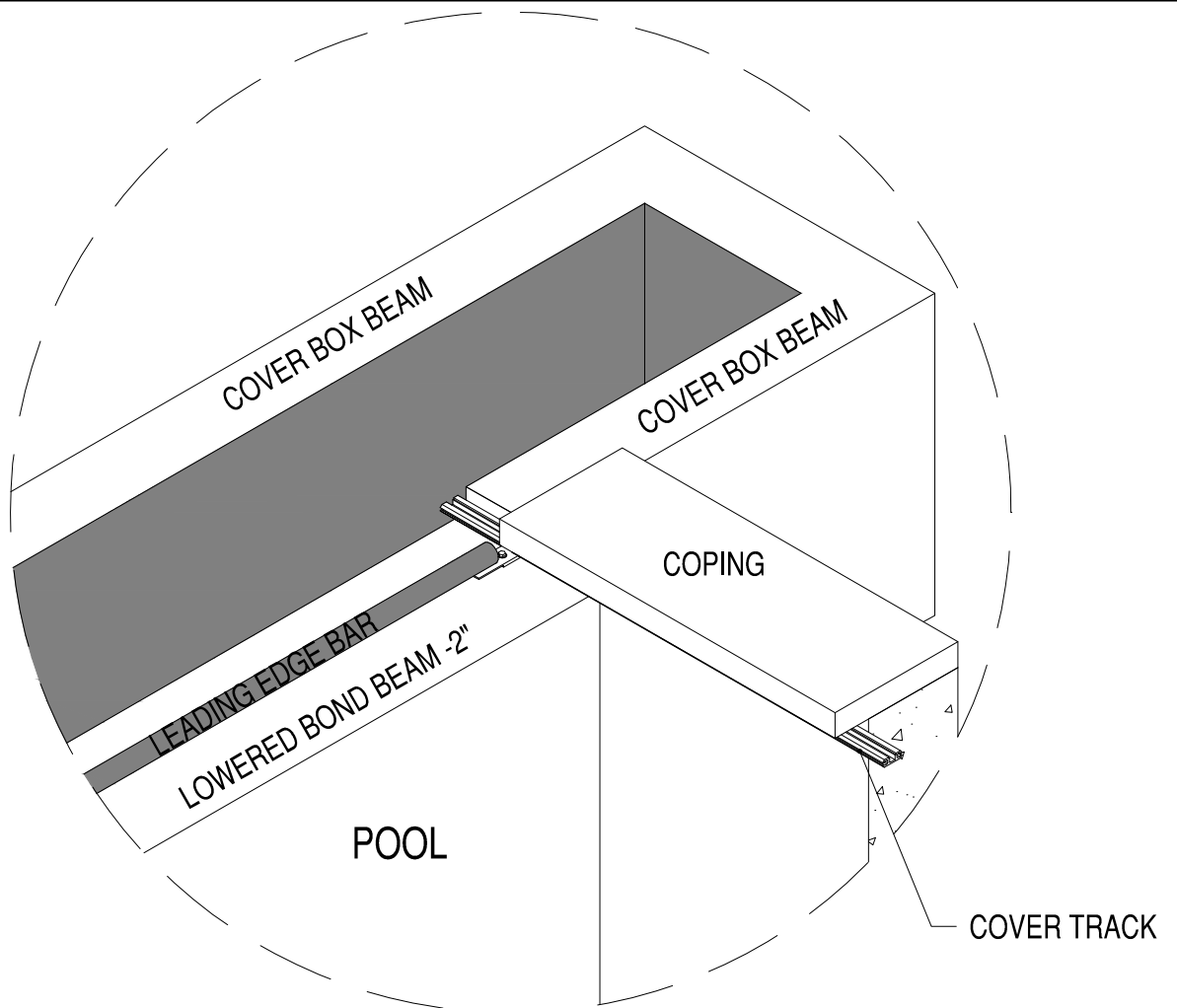
COVER STYLE: **HYDRAMATIC**

TITLE: **AUTOMATIC COVER**
VANISHING EDGE DETAILS
45° EDGE SLOPES OUT FROM POOL

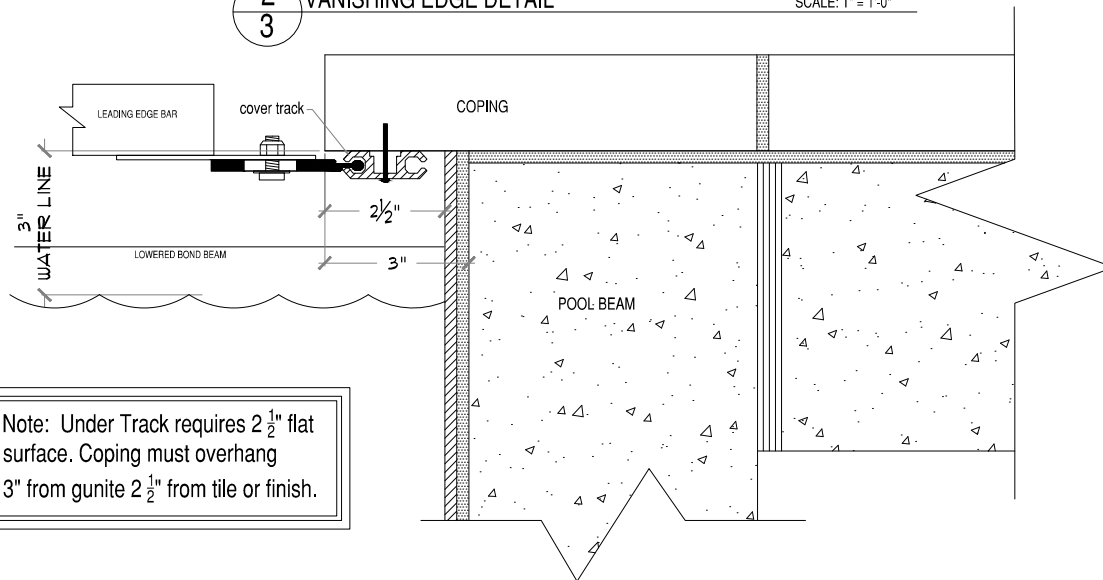
PAGE:
4 OF 4



Exclusive Manufacturer of the Hydramatic
Hydraulic Swimming Pool Covers
AQUAMATIC COVER SYSTEMS
200 Mayock Rd, Gilroy, CA 95020
Ph. 1.800.262.4044 / 408.846.9274
Fax: 800.600.7087 / 408.846.1060



2 VANISHING EDGE DETAIL SCALE: 1" = 1'-0"



Note: Under Track requires 2 1/2" flat surface. Coping must overhang 3" from gunite 2 1/2" from tile or finish.

UNDER COPING TRACK DETAIL SCALE: 3" = 1'-0"

COVER STYLE: **HYDRAMATIC**

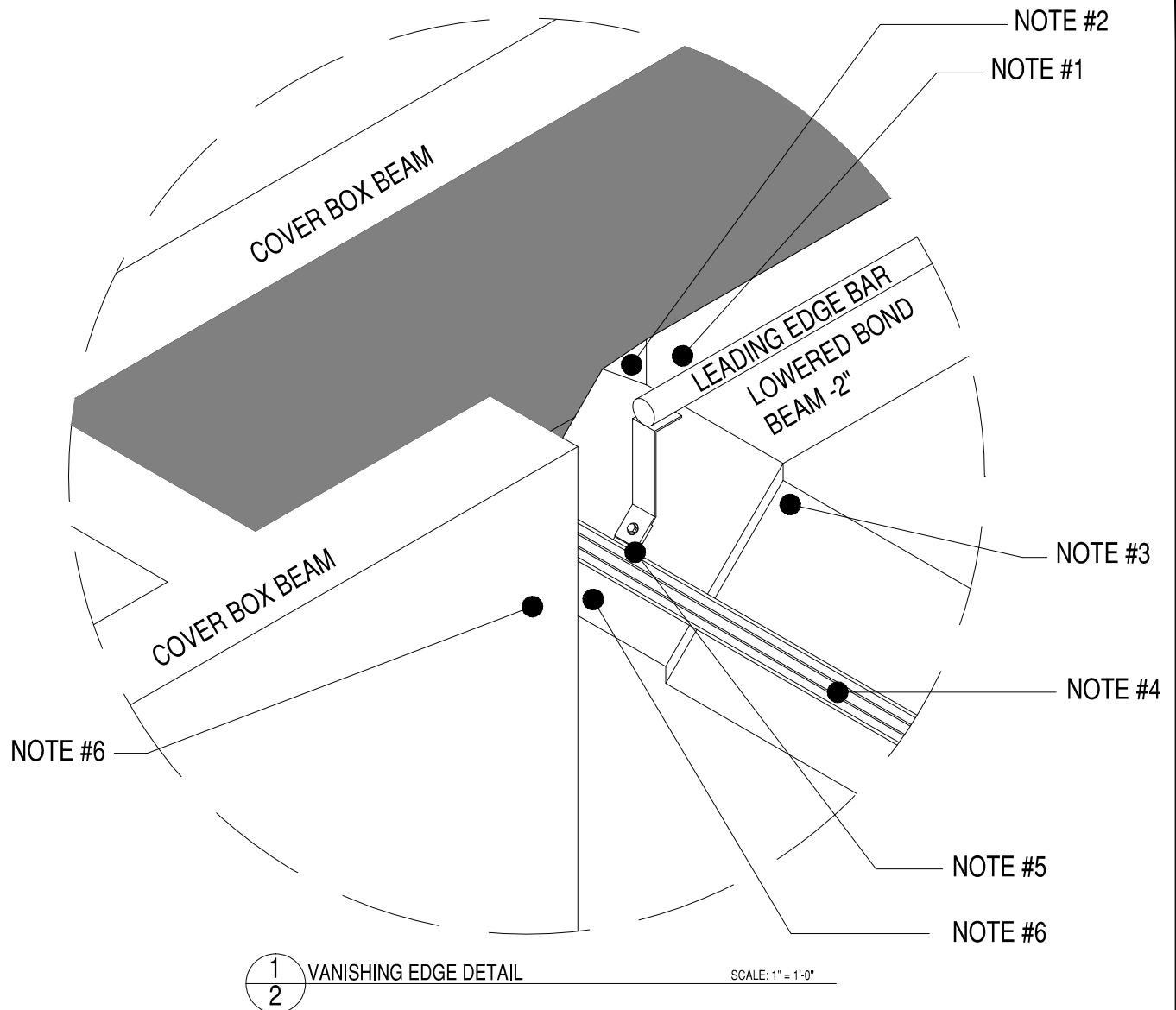
TITLE: **AUTOMATIC COVER**
VANISHING EDGE DETAILS
 45° EDGE SLOPES OUT FROM POOL

PAGE:

3 OF 4



Exclusive Manufacturer of the Hydramatic
 Hydraulic Swimming Pool Covers
 AQUAMATIC COVER SYSTEMS
 200 Mayock Rd, Gilroy, CA 95020
 Ph. 1.800.262.4044 / 408.846.9274
 Fax: 800.600.7087 / 408.846.1060



1
2 VANISHING EDGE DETAIL

SCALE: 1" = 1'-0"

CRITICAL NOTES

1. 12" WIDE LOWERED BOND BEAM SET 2" BELOW COVER BOX BEAM.
2. CHAMFER SHARP CORNER WHERE COVER EXITS COVER BOX.
3. FINISH EDGE OF VANISHING EDGE IS TO BE 1" BELOW LOWERED BOND BEAM
4. USE 1" SPACERS FOR MOUNTING COVER TRACK @ 12" O.C.
5. COVER TRACK MOUNTED ON 45° SLOPPED VANISHING EDGE BEAM REQUIRES IN FIELD ADJUSTMENT OF LEADING EDGE SLIDE BAR TO MATCH ANGLE AND VERTICAL RISE OF SLIDING BAR MECHANISM.
6. CHANNEL 1" ABOVE VANISHING EDGE BEAM WITH MATCHING ANGLE TO EDGE BEAM THROUGH TO COVER BOX FOR COVER TRACK. COVER TRACK TO EXTEND 2" INTO COVER BOX. SEE DETAIL 1 PAGE 4.

COVER STYLE: **HYDRAMATIC**

TITLE: **AUTOMATIC COVER
VANISHING EDGE DETAILS
45° EDGE SLOPES OUT FROM POOL**

PAGE:

2 OF 4



Exclusive Manufacturer of the Hydramatic
Hydraulic Swimming Pool Covers
AQUAMATIC COVER SYSTEMS
200 Mayock Rd, Gilroy, CA 95020
Ph. 1.800.262.4044 / 408.846.9274
Fax: 800.600.7087 / 408.846.1060